

MEDTRONIC, INC.
TITLE: APPARATUS AND METHODS OF ENERGY EFFICIENT ATRIAL-BASED
DIVENTRICULAR PUSION-PACING
APPLICANT: John E. Barnes et al. SERIAL NO: 10603,570
DOCKET NO: P-1147L00 SHEET 1 of 6

116

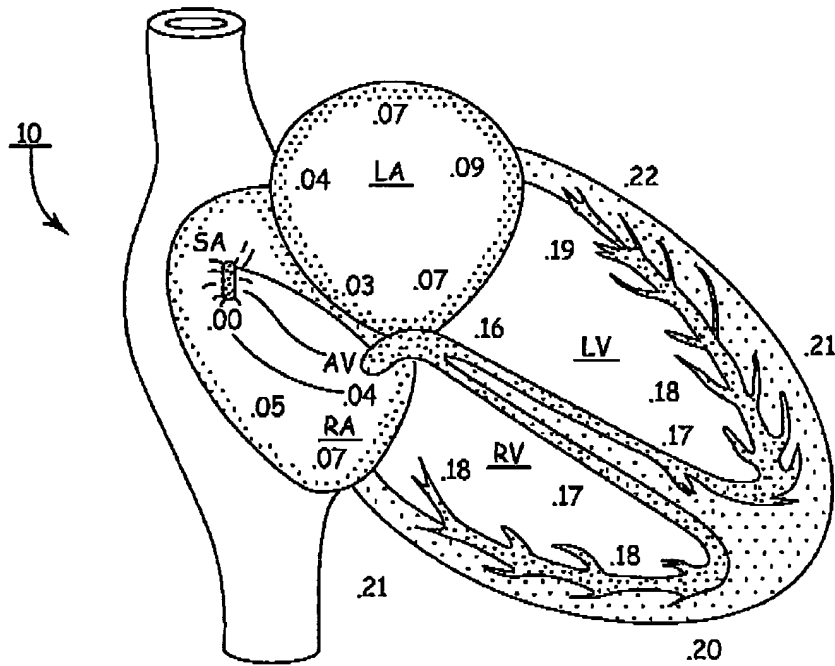


FIG. 1

PRIOR ART

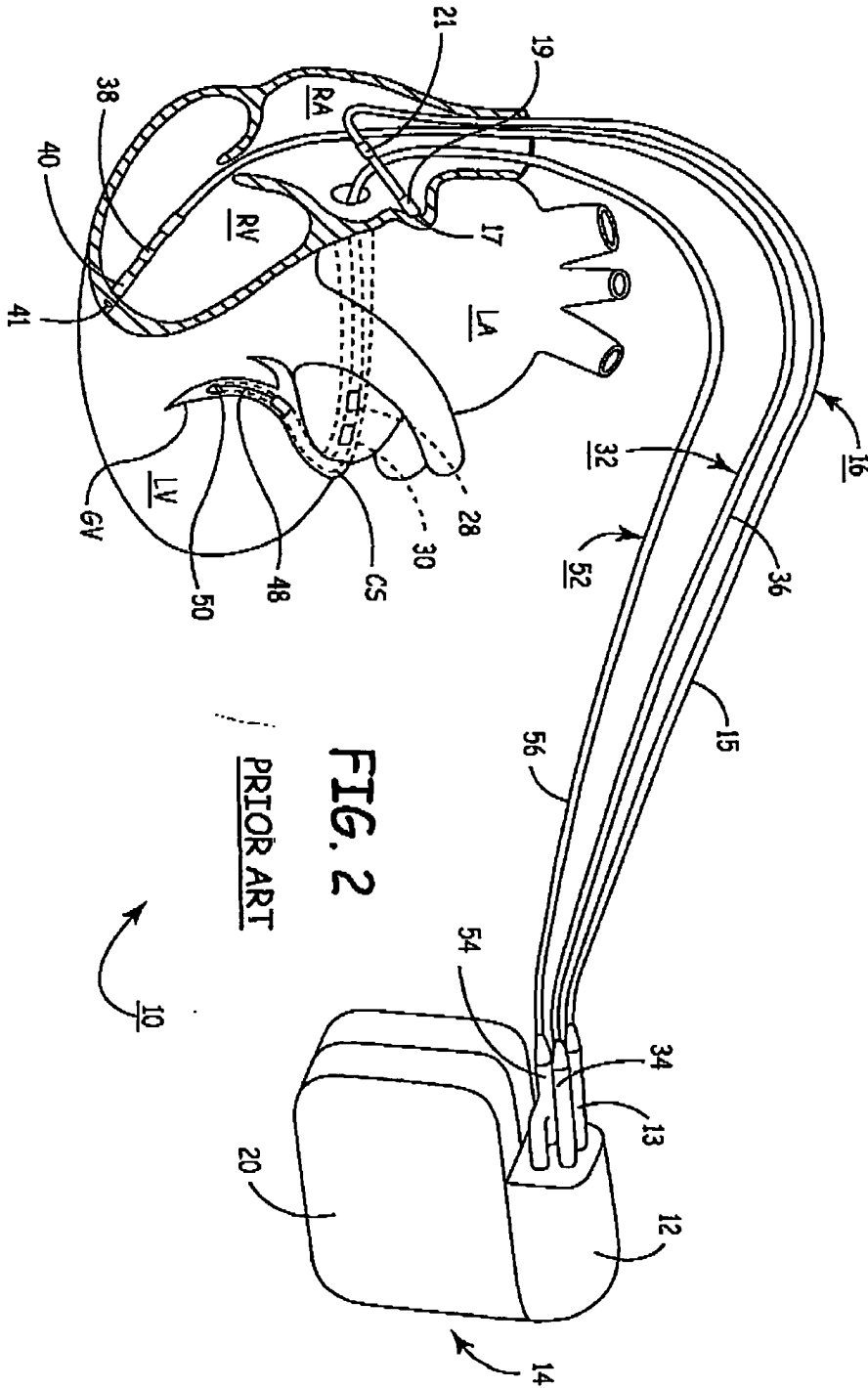


FIG. 2

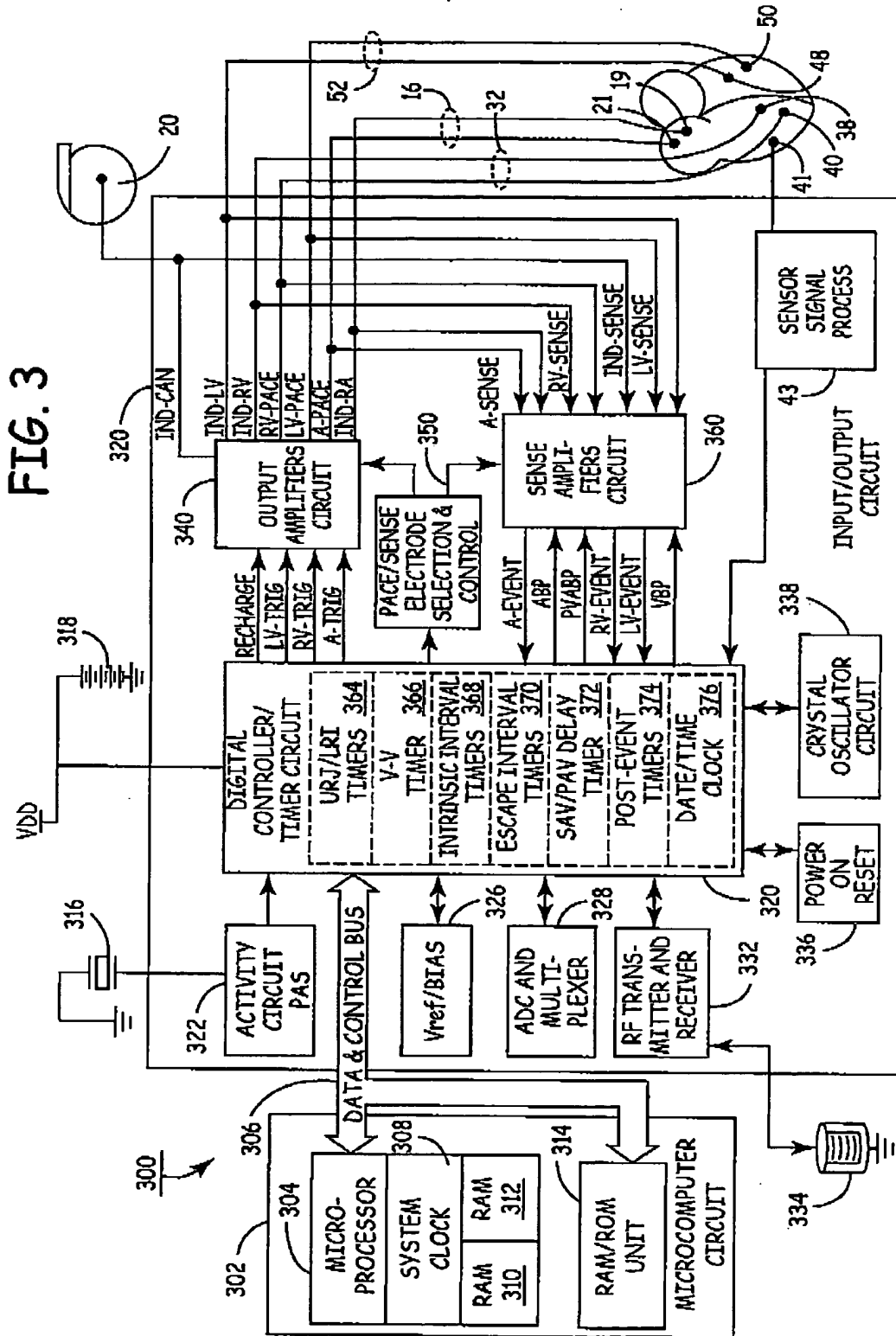
PRIOR ART

2/6

MEDTRONIC, INC.
 THE APPARATUS AND METHODS OF ENERGY EFFICIENT ATRIAL-BASED
 ABLATION FOR PREVENTION OF ATRIAL FIBRILLATION
 APPLICANT: JOHN E. BURNS ET AL. SERIAL NO. 10669370
 DOCKET NO. P-1147100 SHEET 2 OF 6

MEDTRONIC, INC.
TITLE: APPARATUS AND METHODS OF ENERGY EFFICIENT, ATRIAL-BASED
B-VENTRICULAR FUSION PACING
APPLICANT: John E. Burns et al. SERIAL NO: 10/063,570
DOCKET NO: P-11471 00 SHEET 3 of 6

316



MEDTRONIC, INC.
TITLE: APPARATUS AND METHODS OF ENERGY EFFICIENT, ATRIAL-BASED
BI-VENTRICULAR FUSION PACING
APPLICANT: John E. Barnes et al. SERIAL NO: 10/803,570
DOCKET NO: P-13471.00 SHEET # of 8

416

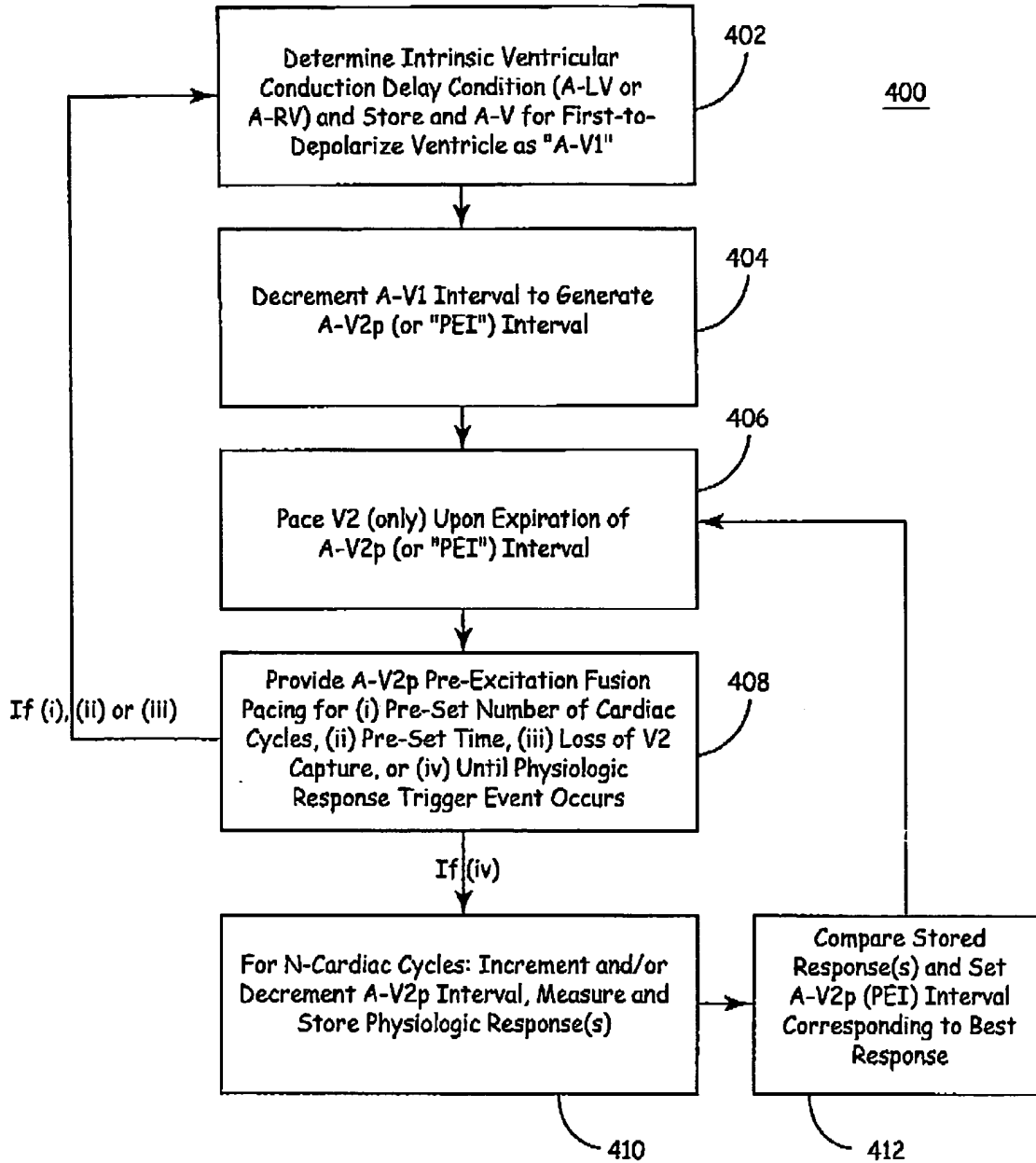


FIG. 4

MEDTRONIC, INC.
TITLE: APPARATUS AND METHODS OF ENERGY EFFICIENT, ATRIAL-BASED
BI-VENTRICULAR FUSION-PACING
APPLICANT: John E. Barnes et al. SERIAL NO: 10/803,570
DOCKET NO: P-11471.00 SHEET 5 of 6

5/6

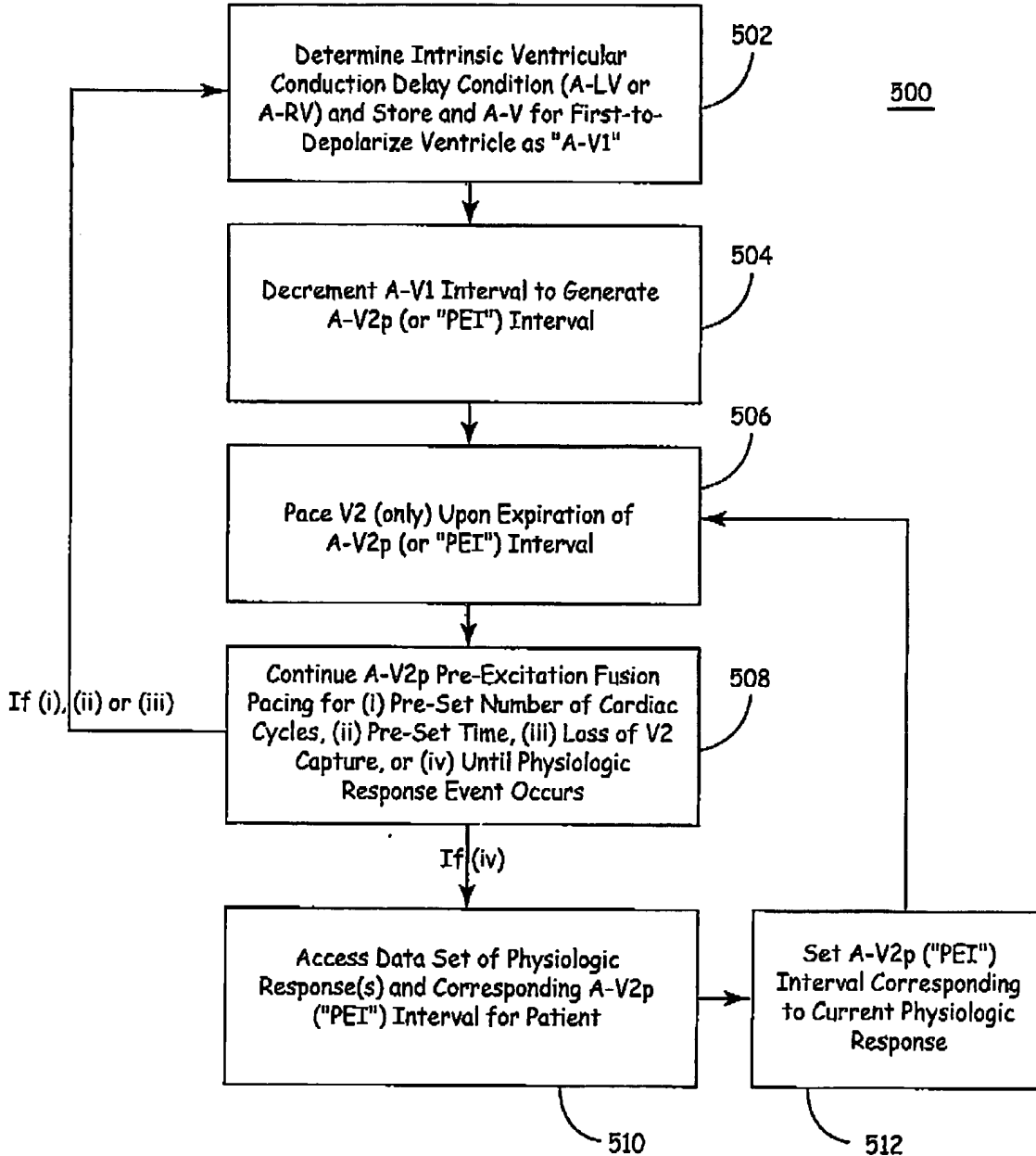


FIG. 5

MEDTRONIC, INC.
TITLE: APPARATUS AND METHODS OF ENERGY EFFICIENT ATRIAL-BASED
BI-VENTRICULAR FUSION PACING
APPLICANT John E. Barnes et al. SERIAL NO: 102003570
DOCKET NO: P-11471.00 SHEET 6 of 6

6/6

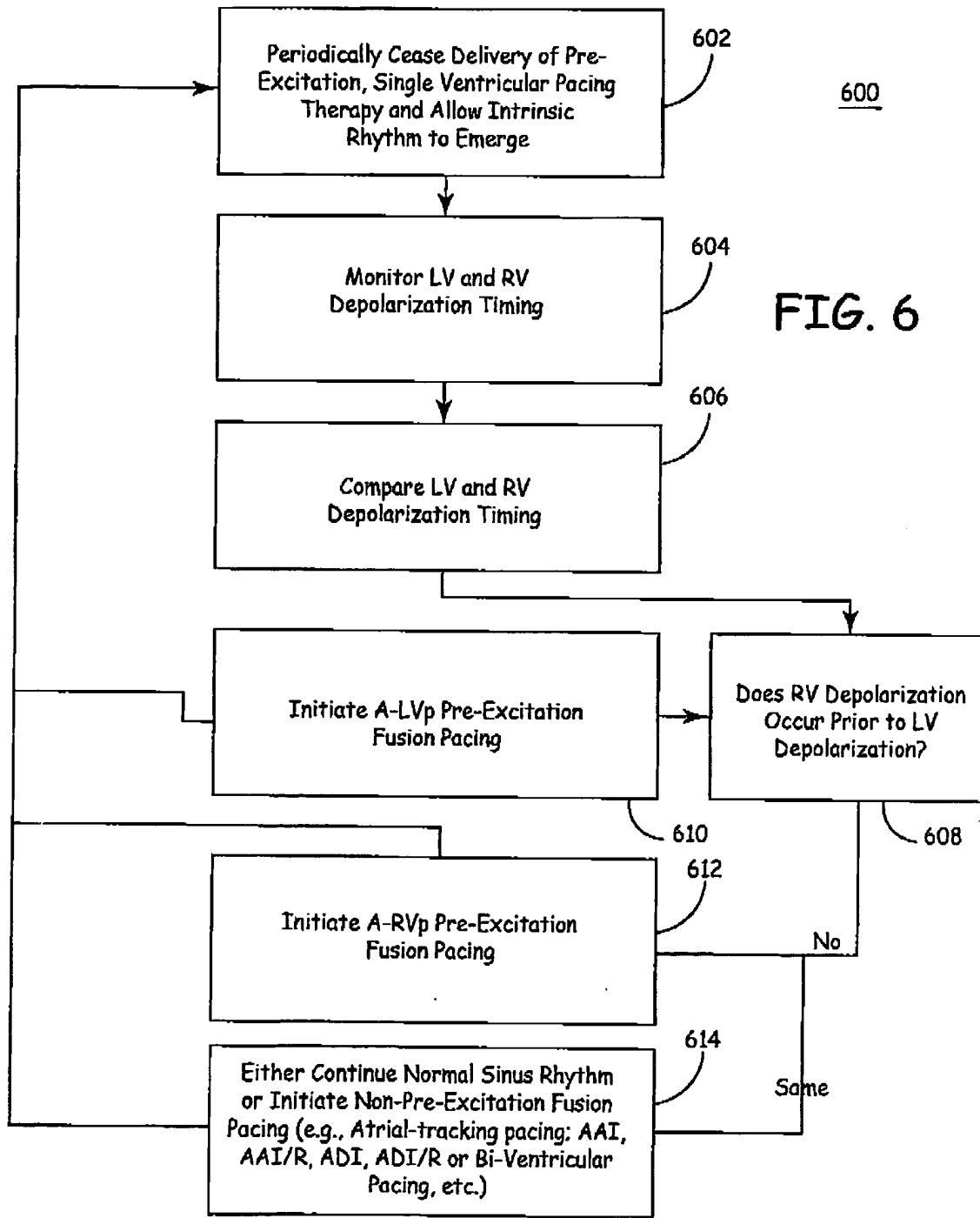


FIG. 6